



PowerLED Downlight Installation and Operation Manual



Portland 2

Rockport

Camden

OVERVIEW

Imtra PowerLED fixtures are uniquely suited for marine, automotive, and architectural lighting applications. They have been engineered specifically to take advantage of the latest LED (Light Emitting Diode) technology offering superior reliability, minimal power consumption, and far less radiated heat than traditional incandescent light sources. When installed properly, these products will provide years of flawless performance.

Most of the downlights in this series are offered with a choice of LED color in addition to bezel finish options. When installed and operated with an Imtra approved PWM dimmer, up to 30 fixtures can be controlled simultaneously from multiple locations.

We encourage you to read this installation guide thoroughly as there are particular electronic & electrical criteria and other critical installation details that should be met in order to assure many years of enjoyment from your new PowerLED product(s).

The Imtra PowerLED family of products is compatible with several Automated Control Systems. For more information on integrating our PowerLEDs with your control system, please contact us at 508-995-7000 or via email at lighting@imtra.com.

- 1 -

SPECIFICATIONS

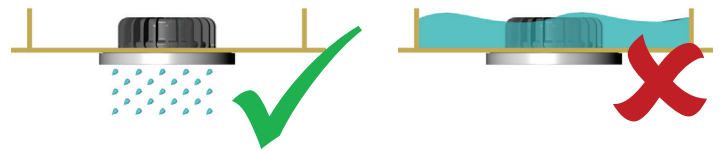
	Portland 2	Rockport	Camden
Trim Ring Diameter	3.43" (87mm)	3.80" (97mm)	3.71" (94mm)
Trim Ring Height	0.32" (8mm)	0.27" (7mm)	0.23" (6mm)
Cutout Diameter	2.50" (64mm)		
Recess Depth	0.92" (24mm)		
Input Voltage Range	10-30 VDC		
Power Consumption	4.7 Watts		
IP Rating	IP65*		

* IP65: "Protected from the ingress of dust and low pressure jets of water from all directions"

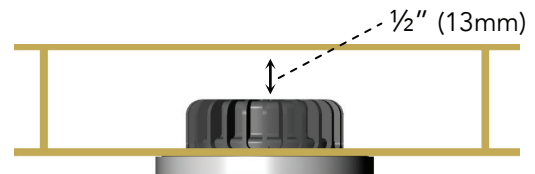
- 2 -

PHYSICAL INSTALLATION

It is imperative that the lights are mounted in such a location that the fixtures are protected from the rear against water exposure.



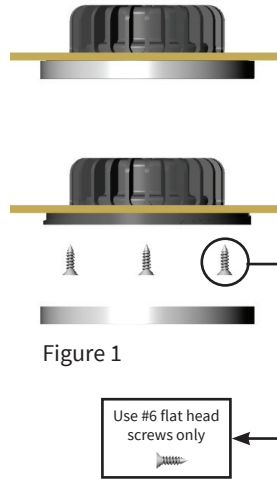
Also, it is important that the lights are mounted with airspace around the heat sink housing to allow for convective cooling of the lights. We recommend a distance of 1/2" (13mm) of free space above the housing.



- 3 -

INSTALLATION INSTRUCTIONS

1. Cut a circle in the mounting surface according to the cutout diameter required by your light (see chart on page 2).
2. Connect the light to a DC power source following the Wiring Instructions in the next section of this guide.
3. Once all electrical connections are made and secure, twist and remove the trim ring of your PowerLED and insert it into the cutout circle in the mounting surface. Fasten with #6 flat head screws (see Figure 1).
4. Place the trim ring/lens over the light making sure the tabs of the trim ring engage with the openings in the housing. Twist the trim ring on to secure it.



WIRING INSTRUCTIONS

1. Connect the light to a DC power source. Connect the red wire to positive DC voltage and the black wire to negative or ground.
 2. If you are installing a Bicolor PowerLED product, the orange wire should be connected to switched positive DC Voltage.
- (Please refer to the wiring diagram on pages 10-11)
3. If you will be dimming your PowerLED lighting, connect the white and grey wires to the white and grey wires of the PowerLED PWM Dimmer Module. You may connect as many as 30 PowerLEDs to the PowerLED Dimmer Module. Please refer to the PowerLED Dimmer Module Installation and Owner's manual for more information.
- (Please refer to the wiring diagram on page 9)
4. If you will not be dimming your PowerLED lighting, simply trim the white and grey wires so that no bare conductor is exposed and cover the ends of the wires individually with insulation (shrink tube).

(Please refer to the wiring diagram on pages 7-8)

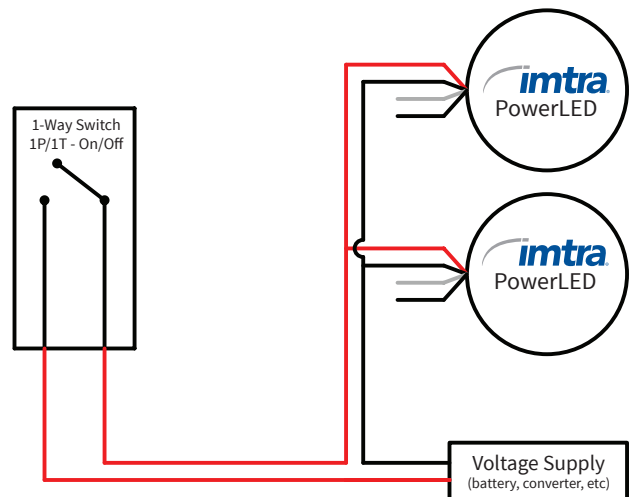
Wire	Function
Red	+ (white light)
Black	-
Orange	+ (color light)
White	Dim +
Grey	Dim -

NOTES ON WIRE SIZE

The PowerLED family of products comes equipped with integrated driver electronics. These components are sensitive to DC systems with voltage drops. Therefore, it is imperative to select the correct wire size to supply DC voltage to the lights. This prevents excessive impedance and voltage drops which can cause premature failure in the PowerLEDs. It is recommended that the supply wire size be selected according to the ABYC Wiring Recommendations Chart for a 10% voltage drop. These charts can be found at www.imtra.com.

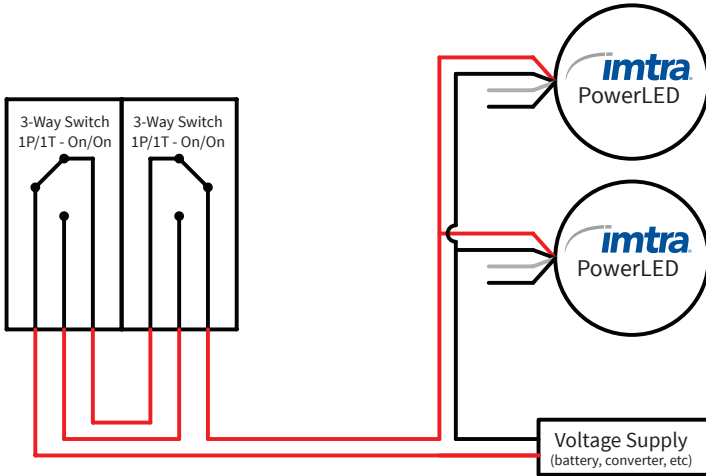
Wiring Diagram

- Single Color Units
- No Dimming
- Single Switch Location



Wiring Diagram

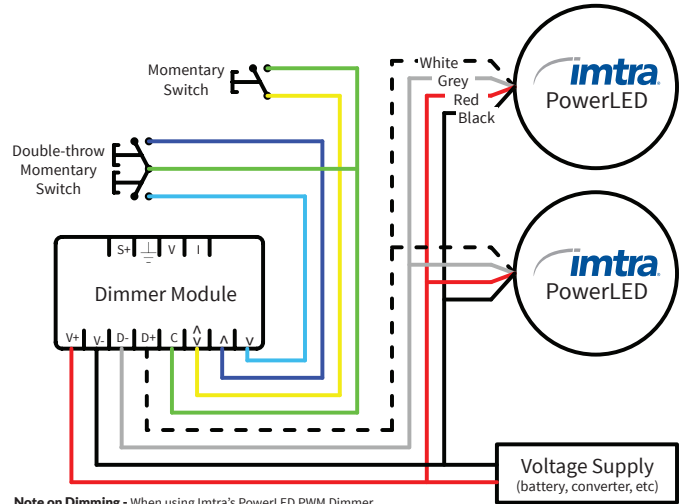
- Single Color Units
- No Dimming
- Multiple Switch Location



- 8 -

Wiring Diagram

- Single Color Units
- With Dimming (two different switch options shown)

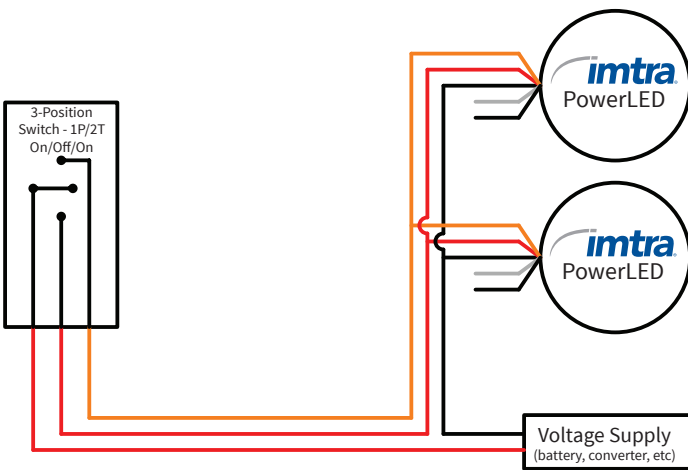


Note on Dimming - When using Imtra's PowerLED PWM Dimmer Module, it is recommended that both the white and grey wires are used in order to prevent electrical/electronic interference with other systems onboard. It is possible to control the PowerLED lights with the PowerLED PWM dimmer module via the white wire only by simply omitting the grey wire connections.

- 9 -

Wiring Diagram

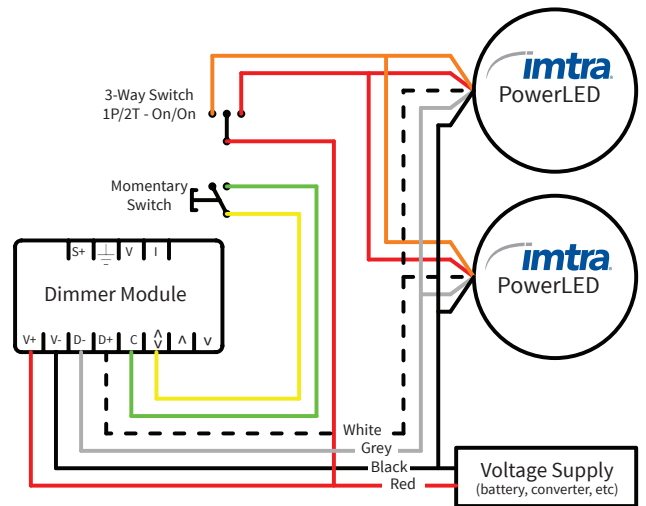
- Bi-Color Units
- No Dimming



- 10 -

Wiring Diagram

- Bi-Color Units
- With Dimming



- 11 -

LIMITED WARRANTY

Imtra warrants the light-emitting LSA (LED spotlight assembly) component of our IML PowerLED spot lights & fixtures for 5 years from the date of purchase. If the LSA should cease to function within 5 years, return the complete spot light assembly to Imtra for repair or replacement.

This warranty does not apply to damage resulting from actions of the user such as misuse, improper wiring/installation, operation outside of specification, improper maintenance or repair, unauthorized modification, lightning strike or damage from a power surge.

The trim ring (bezel) of the IML Power LED spot lights are warranted for one year.

Imtra specifically disclaims any implied warranties, merchantability or fitness for a specific purpose and will not be liable for any direct, indirect, incidental or consequential damages. Imtra's total liability is limited to repair or replacement of the product.

The warranty set forth above is inclusive and no other warranty, whether written or oral, is expressed or implied.

If it should become necessary to return a fixture for service during or beyond the warranty period, please refer to Imtra's standard Return Policy as detailed on Imtra's website (www.imtra.com) or call Imtra customer service at (508) 995-7000.

No returns are accepted without a Return Authorization (RA) number.

- 12 -



30 Barnet Boulevard, New Bedford, MA 02745

(508) 995-7000 • www.imtra.com