

LED-10W 10V/12V/24V DC

SPECIFICATIONS

Standards

Converter meets CE standards
 Approved by UL as a class 2
 recognized component
 File # E254177

Available Versions

- 901010010-LED 10W 10V DC
(plastic casing)
- 901010012-LED 10W 12V DC
(plastic casing)
- 901010024-LED 10W 24V DC
(plastic casing)
- 901010010P-LED 10W 10V DC
(aluminium casing/European version)
- 901010012P-LED 10W 12V DC
(aluminium casing/European version)
- 901010024P-LED 10W 24V DC
(aluminium casing/European version)
- 901010010PU-LED 10W 10V DC
(aluminium casing/USA version)
- 901010012PU-LED 10W 12V DC
(aluminium casing/USA version)
- 901010024PU-LED 10W 24V DC
(aluminium casing/USA version)

Mechanical and Thermal

PC plastic casing
 Dimensions (mm) 28 x 40 x 100
 Dimensions (in) 1.10" x 1.57" x 3.93"
 Weight 90 grams / 3 ounces
 Tc Max 90°C
 Ta Max 50°C
 Terminal Block Connection
 Aluminium casing / European version
 Dimensions (mm) 27 x 35 x 86
 Weight 165 grams
 Tc Max 90°C
 Ta Max 50°C
 Output wire – 18AWG 200°C
 Input wire –
 (separate cables) FEP/FEP 0.75mm² 450V 180°C
 Waterproof potting
 Aluminium casing / USA version
 Dimensions (in) 1.06" x 1.37" x 3.38"
 Weight 5.8 ounces
 Tc Max 90°C
 Ta Max 50°C
 Output wire – 18AWG 200°C
 Input wire –
 UL type 1332 or similar 18 AWG 300V 200°C
 Grounding wire
 Waterproof potting



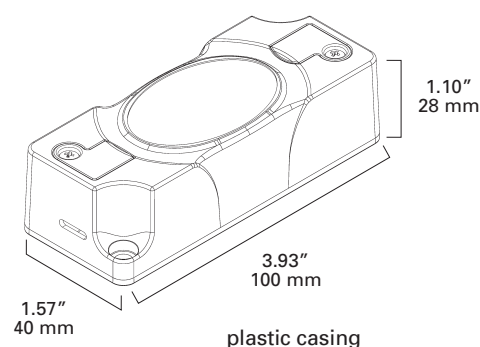
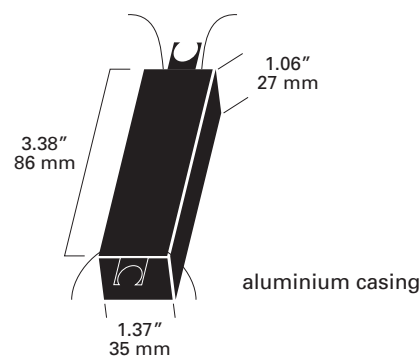
www.lightechinc.com

Electrical

Load	1-10VA
Input	95-265V 50/60Hz
Output Voltage	10V/12V/24V DC ±10%
Efficiency	78%
EMC (RFI)	FCC Class B/EN 55015
Harmonics	EN 61000-3-2
Immunity	EN 61547/61047
Safety	EN 61347-2-2
SELV	

Protection and Regulation

Electronic internal resettable short circuit protection. Overload regulation and thermal protection.



WWW.LIGHTTECHINC.COM