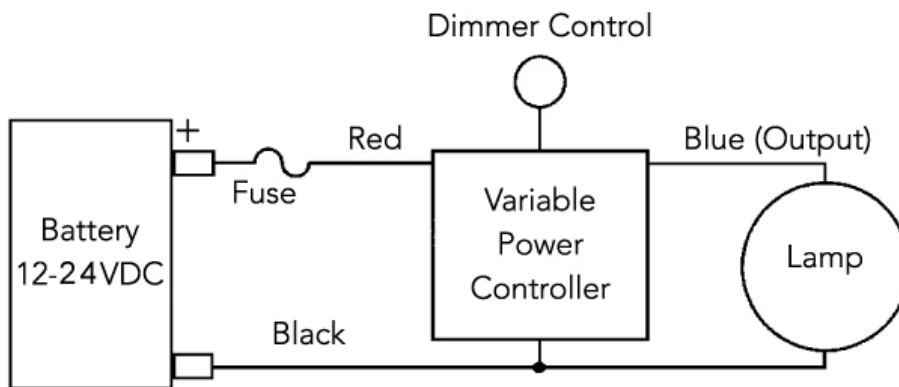


## Applications Information:

The IML 10amp DC Rotary Dimmer (part no ILDIM-ROT10) is primarily designed for use as a light dimmer for marine and RV applications. It can also be used as motor speed controllers for small DC fans and other small motors. To meet Coast Guard Regulations and ABYC standards, a 10 Amp slow blow fuse must be installed.

During installation, turn off the battery charger, and turn off the batteries. Connect the **Black** wire to the ground first, the **Blue** wire to the lamp or motor second, and the **Red** wire to the switch last. Turn on power and test the dimmer for proper operation. If the lamp turns on and will not dim, check the wiring for errors. This digital light dimmer is **NOT** designed to work without the ground wire; such operation may result in destructive failure of the unit.

## Installation Instructions:



Fuse Rating: 10 Amps  
DC Input: 6-32V  
DC Output: 12V or 24V  
Frequency: 1 Khz Constant  
Dimming: 1-100%  
Protection: Short Circuit  
Shielding: EMI Protected