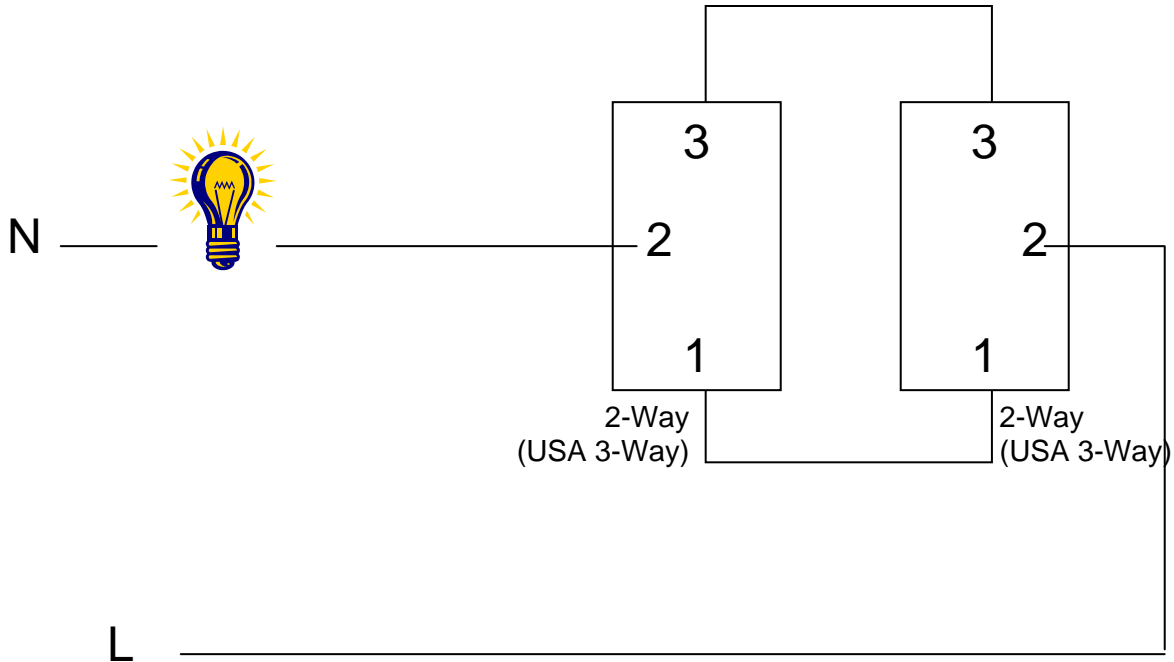


ON/OFF SWITCHING: 2 LOCATIONS



ON/OFF SWITCHING: 3 LOCATIONS

