

Product Specifications SAC 386 TC Series



Side-Power AC thrusters comes complete with all required components to get the thruster connected to the S-link control system.

The innovative S-link digital control system ensures fast and troublefree installation and incorporates monitoring of the system while operated and gives you the unique option to combine hydraulic and electric thrusters in a thruster system.

The SAC 386 TC series is manufactured taking advantage of experiences gained through years of volume production, resulting in a very cost efficient, high quality product.

With the SAC 386 TC series you get all the important and unique **Side-Power** features and qualities - **why settle for less.**

Description

Typical boat size (m•ft):
Tunnel inside diameter:
Propulsion system:
Weight**):

SAC386-450/450^{*)})

23 - 37 • 75 - 120
386mm/15.2"
Counter rotating
253 kg/558 lbs.

SAC386-520/520^{*)})

26 - 40 • 85 - 130
386mm/15.2"
Counter rotating
303 kg/668 lbs.

*) SAC thrusters is available as both 220/230V and 380/400V models (suffix -2 or -4).

***) Weight stated is for complete thruster excluding VFD and Filter

Gearleg:

- Seawater resistant bronze, CNC machined in one process to ensure 100% correct tolerances, angles and measurements.
- Oil filled with header tank and breathing to ensure long lifetime and no contamination of oil.
- Marine grade seals with protective lip and mechanically protected by special propeller hub design. Hardened and ground precision spiro-conical gears.
- Propeller shaft with angular contact ball bearing fitted in correct tolerances.
- Driveshaft with ball bearing and needle bearing in correct tolerances.
- 4 bladed composite kaplan propeller
- Anode protection directly on gearleg, easy to access and change.

SAC thrusters installed in areas with high humidity and/or fluctuating temperatures can be equipped with anti-condensation heaters (optional).

Performance and specifications at one tunnel diameter depth*:

| | SAC386-450/450 | SAC386-520/520 |
|--------------------------------------|-----------------|------------------|
| Thrust, continous ¹⁾ : | 450 kg/992 lbs. | 520 kg/1146 lbs. |
| Thrust, intermittent ¹⁾ : | 450 kg/992 lbs. | 520 kg/1146 lbs. |
| Thruster input power: | 28 kW/38 Hp * | 36 kW/49 Hp* |

¹⁾ See table for setup options

*) Continous power

**) Intermittent power

Mounting Position

- Standard: Horizontal
- Optional: Vertical (Motor delivered with B5 standard mounting flange)

Significant features:

- Thruster control by the digital bus-based S-link control system
- High quality marine standard flexible motor coupling

Notes:

* Actual performances will vary for each installation depending on many factors. Specifications shown here are based on a thruster installed at a depth equal to one tunnel diameter and with AC electric power at thruster as shown.

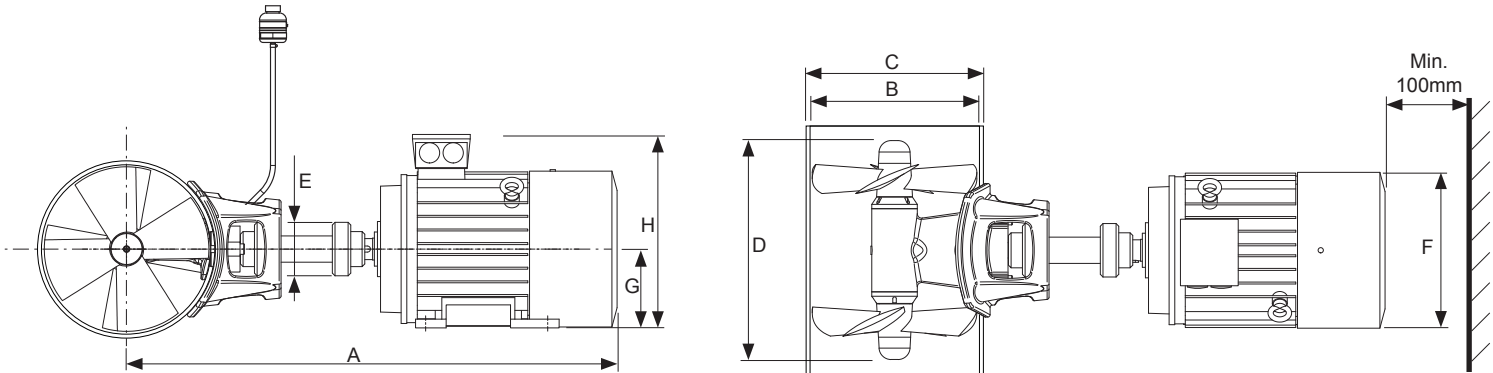


Confidence by Control

SIDE-POWER.com

Measurements

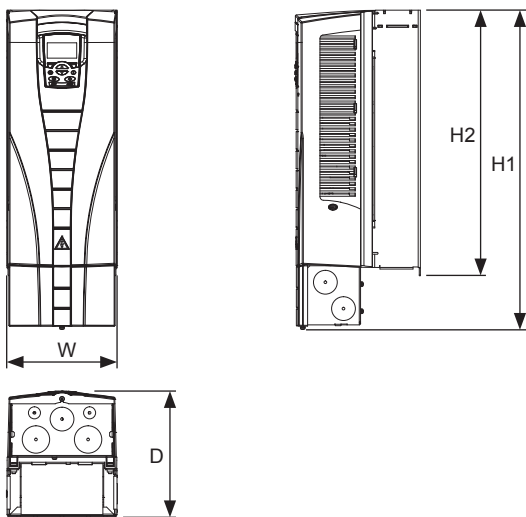
THRUSTER



| MODEL | A* (mm) | A** (mm) | B (mm) | C (mm) | D (mm) | E (mm) | F (mm) | G (mm) | H (mm) |
|------------------|---------|----------|--------|---------|--------|--------|--------|--------|--------|
| SAC386-450/450-2 | 1067 | 1204 | 386 | 406-416 | 503 | 122 | 364 | 180 | 442 |
| SAC386-520/520-2 | 1067 | 1204 | 386 | 406-416 | 503 | 122 | 402 | 200 | 500 |
| SAC386-450/450-4 | 1067 | 1204 | 386 | 406-416 | 503 | 122 | 364 | 180 | 442 |
| SAC386-520/520-4 | 1067 | 1204 | 386 | 406-416 | 503 | 122 | 402 | 200 | 500 |

* With standard length universal joint shaft
** With external cooling unit (optional)

VFD



VFD Degree of protection: IP21

| MODEL | H1 (mm) | H2 (mm) | D (mm) | W (mm) | Weight (Kg) |
|------------------|---------|---------|--------|--------|-------------|
| SAC386-450/450-2 | 689 | 596 | 203 | 362 | 24 |
| SAC386-520/520-2 | 888 | 700 | 302 | 400 | 69 |
| SAC386-450/450-4 | 689 | 596 | 203 | 362 | 24 |
| SAC386-520/520-4 | 689 | 596 | 203 | 362 | 24 |



Measurements may change, please refer to the latest installation manual before installation.

This document may contain typographical errors, to which Sleipner Motor assumes no responsibility.



Confidence by Control

SIDE-POWER.com

Product specification - SAC 386 TC Series - 2/2



Sleipner Motor AS
P.O. Box 519,
N-1612 Fredrikstad, Norway
Tel: +47 69 30 00 60
Fax: +47 69 30 00 70
sidepower@sleipner.no
www.side-power.com