

L04 Multifunction Joystick



L04 is a modern compact multifunction-type joystick with 1, 2 or 3 axes. Handle movement 48° in x- and y- direction and turn 180° in z- direction without push button (120° w/PB) Designed for electronic control. Touch-free magnetic sensors (no potentiometers) requires a small amount of space under the mounting plate and makes the movement extremely smooth. Adjustable brakes and zero point. Simultaneously operation of all axes. For maritime as well as shore based purposes. Delivered with ball-shaped transition between handle and panel plate.

Note: Separate product sheets for Lilaas joystick models LF40, LF50 and LF60.

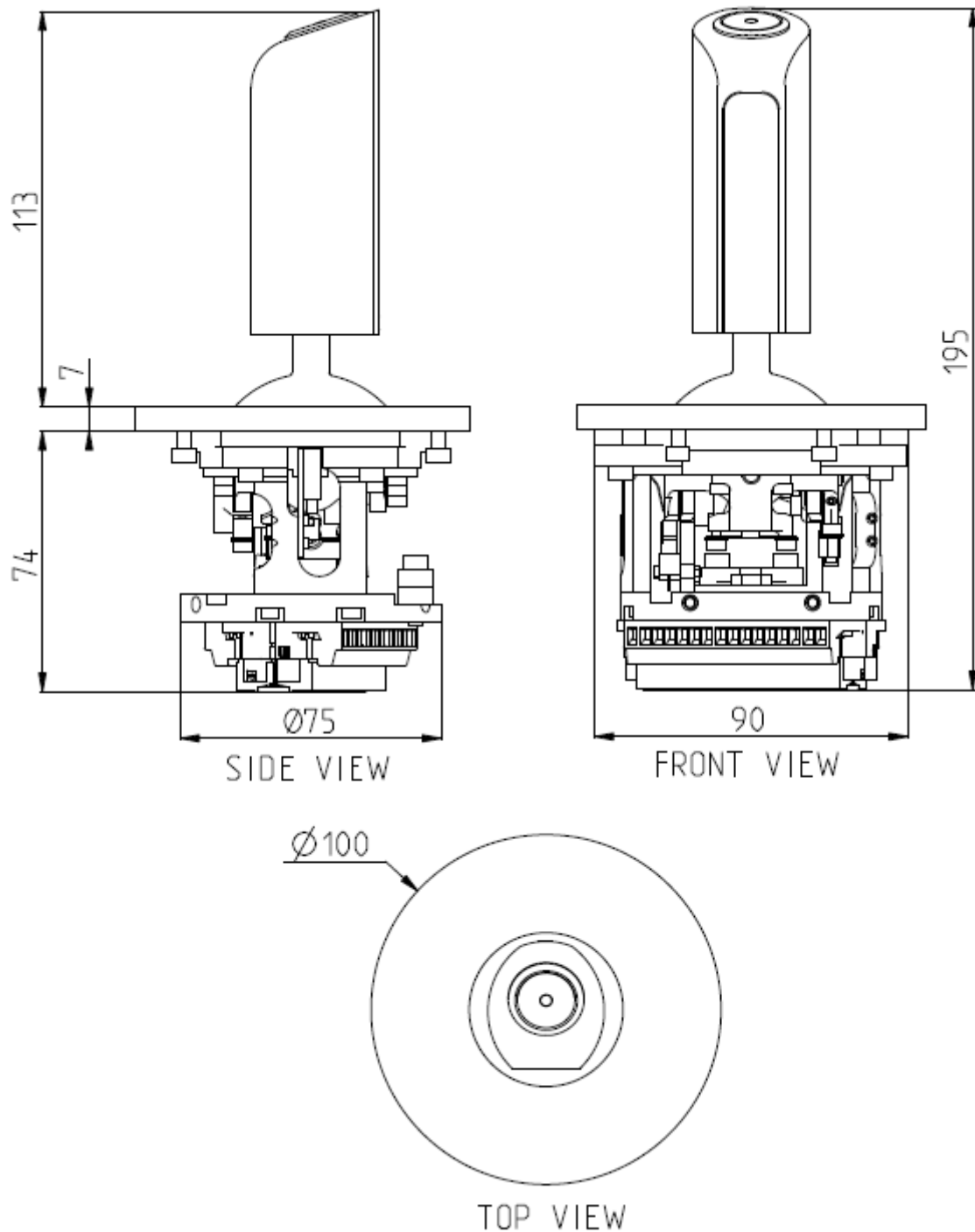


Talk to us:
+47 33 03 18 50
sales@lilaas.no

30 Samuel Barnet Blvd., New Bedford, MA 02745
www.imtra.com 508-995-7000

More information
www.lilaas.no

Joystick L04



Technical description, standard

Handle:	Dull surface
Materials:	Stainless steel, brass, aluminium, POM
Sensor :	Touch-free magnetic , 0-5VDC
Standard termination:	16 pins contact with plug
Enclosure:	IP56
Type approval:	EN/IEC 60945, ABS, BV, DNV, GL, KR, LR, NK, RINA, PRS, RS, CRS

Options

Built-in switches
 Spring-loaded return to neutral
 Push button with or without light
 Different shafts
 Different panel plate

Other options on request.