

LF40 Multifunction Joystick

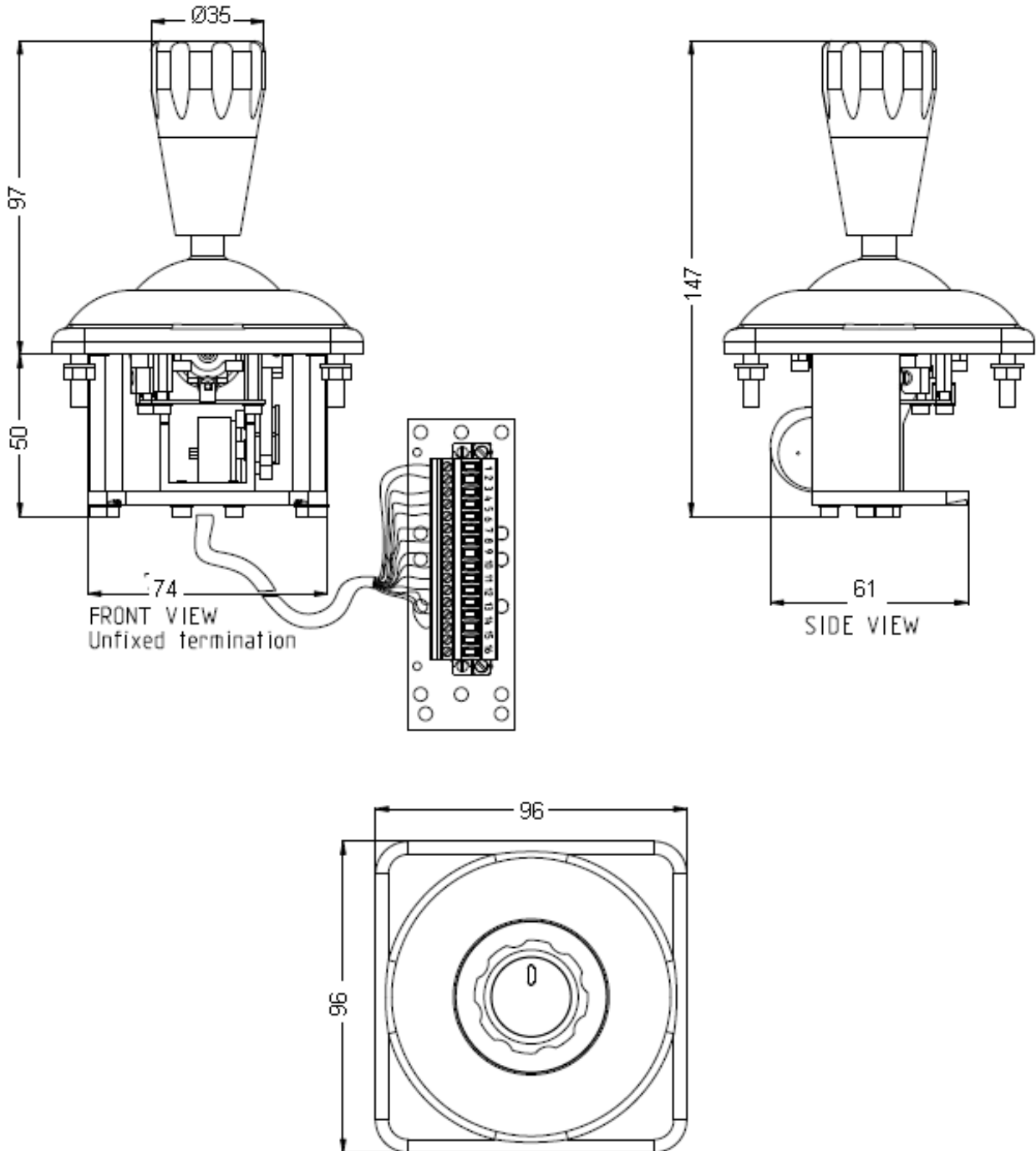


LF40 is a multifunction-type joystick with 1, 2 or 3 axes. Handle movement 48° in x- and y- direction and turn 90° in z- direction.

Designed for electronic control and equipped with potentiometers. For maritime as well as shore based purposes. Delivered with ball-shaped transition between handle and panel plate.

Note: Separate product sheets for Lilaas joystick models LF50, LF60 and L04.

Joystick LF40



Technical description, standard

Handle:	Dull surface
Materials:	Stainless steel, brass, aluminium, POM
Standard pot.meters:	5K
Standard termination:	16 pins contact with plug
Enclosure:	IP66
Type approval:	EN/IEC 60945, ABS, BV, DNV, GL, KR, LR, NK, RINA, PRS, RS, CRS

Options

Built-in switches
Spring-loaded return to neutral
Alternative pot.meters

Other options on request.