

## LF60 Multifunction Joystick



LF60 is a multifunction-type joystick with 1, 2 or 3 axes. Handle movement  $56^\circ$  in x- and y- direction and turn  $180^\circ$  in z- direction. Simultaneously operation of all axes. Designed for electronic control and equipped with potentiometers. For maritime as well as shore based purposes. Delivered with traditional bellows and with or without visible fixing plate.

Note: Separate product sheets for Lilaas joystick models LF40, LF50 and L04.

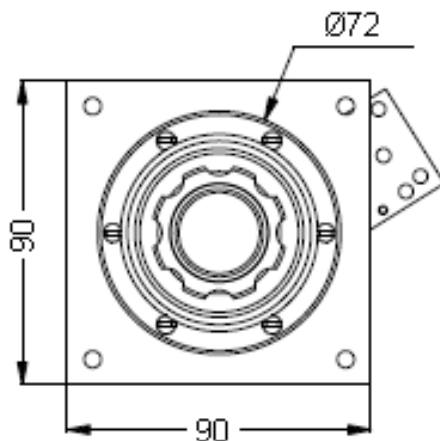
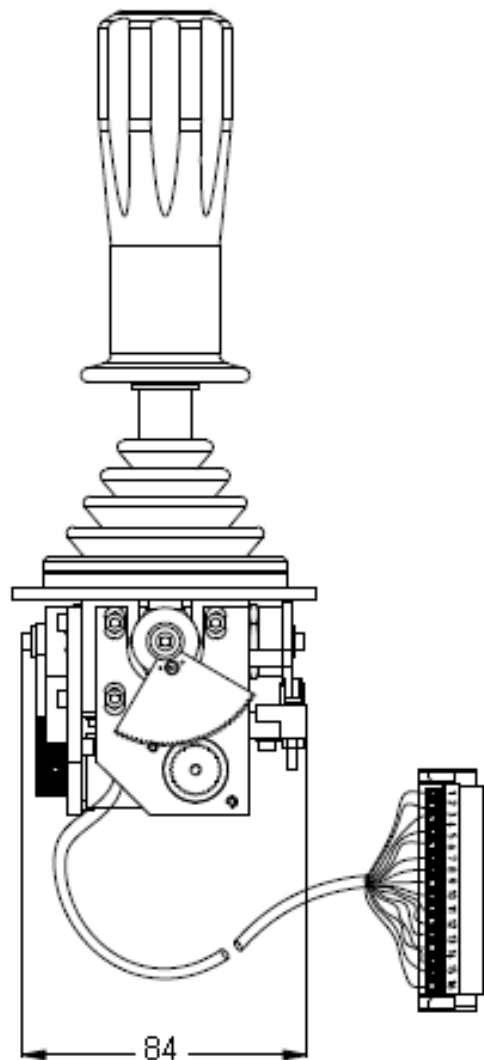
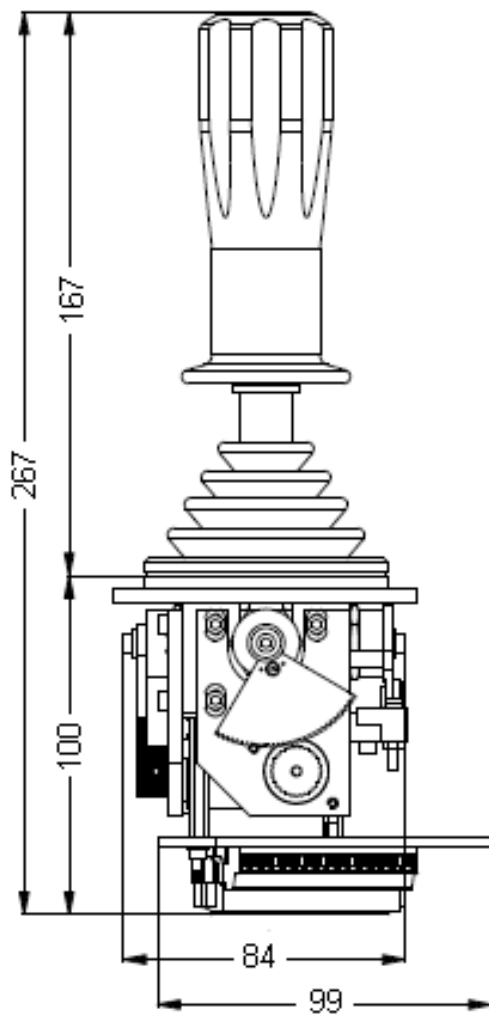


Talk to us:  
+47 33 03 18 50  
sales@lilaas.no

30 Samuel Barnet Blvd., New Bedford, MA 02745  
www.imtra.com 508-995-7000

More information  
www.lilaas.no

# Joystick LF60



Above left: Fixed termination  
 Above right: Alternative termination  
 Left: Top view

## Technical description, standard

Handle:	Dull surface
Materials:	Stainless steel, brass, aluminium, POM
Standard pot.meters:	5K
Standard termination:	16 pins contact with plug
Enclosure:	IP66
Type approval:	EN/IEC 60945, ABS, BV, GL, LR NK, RINA

## Options

- Built-in switches
- Spring-loaded return to neutral
- Alternative pot.meters

Other options on request