

***SIDE-POWER* - Prop fitting addendum – older 4 & 7HP**

Ref. technical information sheet dated May 12, 1995

In 1998, Side-Power changed the prop fitting due to problems with some customers over-tightening the "head-less" set screw. This would strip the threads and the set screw would not hold.

Change Made:

Insert added to prop and new cap head set screw with washer used.

When the prop is aligned properly the new set screw cap head should bottom out on the washer and insert. It cannot be over-tightened so any stripping problem is eliminated.

Warning:

However, if prop is fit all the way onto the prop drive pin and not aligned properly the set screw will meet resistance before bottoming out on the washer/insert.

DO NOT CONTINUE TO TIGHTEN IF SET SCREW MEETS RESISTANCE BEFORE BOTTOMING OUT, AS THIS MEANS THAT PROP IS NOT ALLIGNED PROPERLY AND THE INSERT COULD BE DAMAGED BY BACKING OUT. REALIGN THE PROP AND TRY AGAIN.

Remember:

When fitting an old 3-blade prop on a 4HP or 7HP unit in the water, it is necessary to drill a small hole through the nose of the prop to allow displacement of water when fitting the prop onto the prop shaft.

If you have any questions please, contact your local dealer or Imtra Corp. for guidance.

SUBJECT : Installation of plastic propellers SIDEPOWER

DATE : 12. May 1995

REF : 2 ALL 1995

NOTE : Applies to 4Hp, 6HP and 7HP SIDEPOWER.

PROBLEM : The problem appears as people loose the propellers on new bowthrusters, or after changing a propeller. The propeller is just gone right after the installation.

REASON : The problem is caused by the propeller never being correctly fastened. If the propeller have not been pushed all the way in, the set screw (#1) fastened in its treaded hole (#2) in the propeller (#3) does not come in to the lock track (#4) on the propeller shaft (#5) so that it is only pushing against the flat shaft. (SEE FIG.1.) This can hold the propeller for a short while, even when the thruster is being run the way that drags the propeller from the shaft, but the propeller will fall off sooner or later. So this is nothing but an installation mistake.

SOLUTION : - Install the propeller correctly on the shaft (SEE FIG.2).
- To make it easier to be sure that the lock screw is correctly in the track, we now supply head-less screws that must be all the way in to the hole for the installation to be correct.

PS! When a propeller have been damaged, many people does not want to lift the boat out of the water, so they dive to put on the new propeller. This is OK, as long as it is being pushed all the way on to the shaft, which is very difficult under water, as the propeller and propellershaft fits eachother perfectly, so you will compress water inside the propeller that makes it impossible to push the propeller all the way in on the shaft. To avoid this problem, drill a hole in the end of the propeller to let the water come through. (SEE FIG.3.)

Please also make sure that the drive pin is in the propellershaft and also that it is centred.

WARE! There are plastic threads in the propeller, so do not tighten the screw to hard.

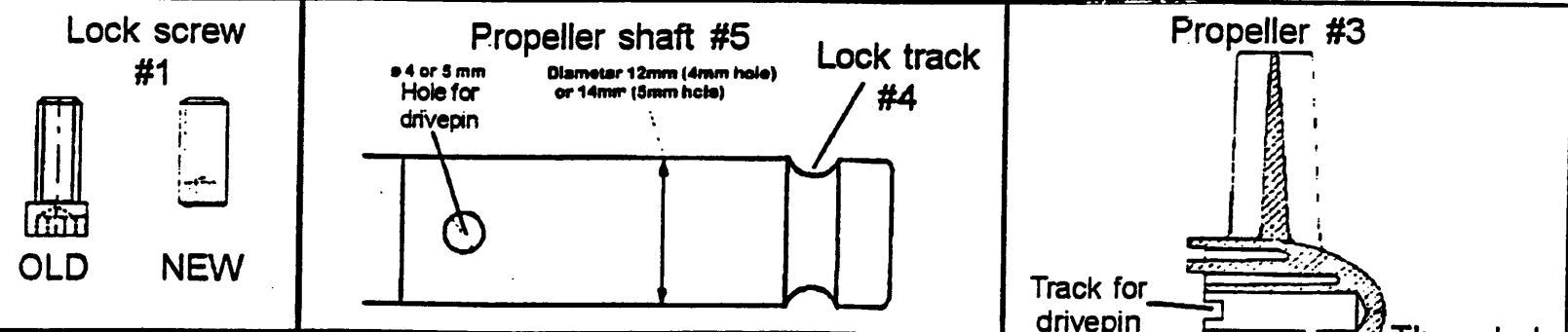


FIG 1 wrong

FIG 2 right

FIG 3 for installation under water or on wet shaft

