

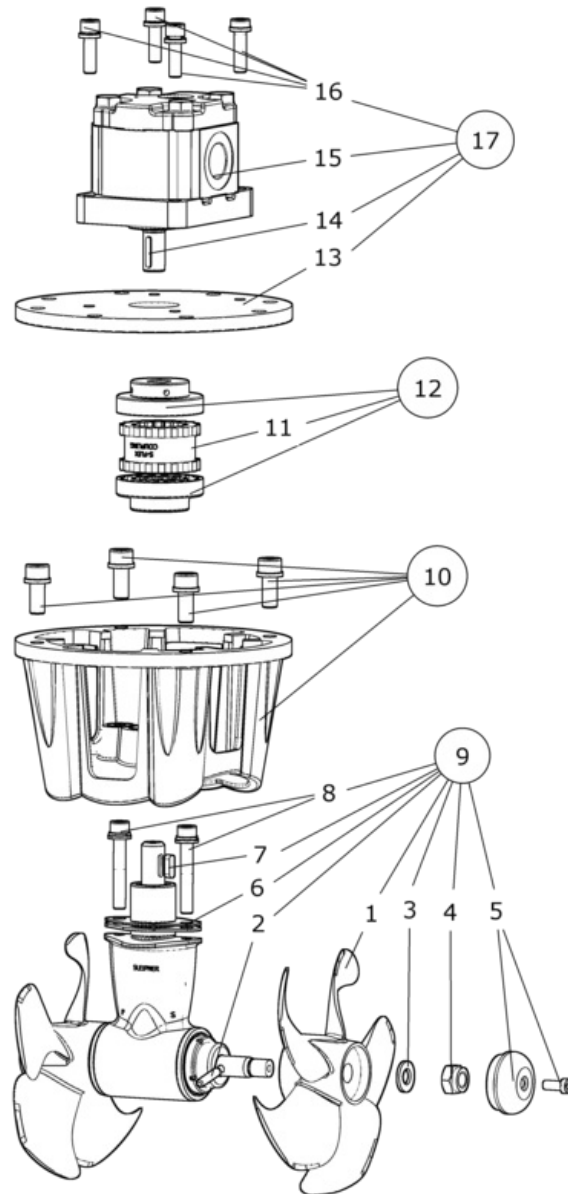
# SH100/185T-U06

## SH100 Tunnel bow/stern thruster

### hydraulic U06



Spare parts (valid from 2017-12-18)



#	Name	Item Code	Description
1	Propeller	7 1261	Thruster propeller Twin Ø185 / 5 bl
2	Propeller key	6 1241	Drive pin for propeller 5mm
3	Propeller washer	7 1181	Propeller washer SE60/80/100
4	Locknut	4 1260	Lock nut
5	Anode	7 1190 A	Anode kit, aluminium for SE60/80/100
6	Gasket (between gearleg and tunnel)	8 0610	Gasket for gearleg installation in tunnel, SP75/95
7	Drive shaft key	6 1440	Key for flexible coupling 7HP/SP75/95
8	Gearleg bolt	7 1080	Bolt M8 x 55 Unbraco
9	Complete gearleg	8 0601	Complete gearleg SE80/100
10	Complete motor bracket	8 0501	Complete motor bracket SE80/100
11	Rubber element	7 1451	Rubber element for flexible coupling SP75/95
12	Complete flexible coupling	7 1450	Complete flexible coupling SH100
13	Adaptor plate	10 21301	Adaptor plate SH100/240
14	Drive shaft key	7 1440	Drive shaft key for hydraulic motors
15	Hyd. Motor options:		
15a	U-06(6ccm)	72100/U-06	Hydraulic motor 6ccm ultra
15b	U-08(8ccm)	72100/U-08	Hydraulic motor 8ccm ultra
15c	U-10(10ccm)	72100/U-10	Hydraulic motor 10ccm ultra
16	Hydraulic motor bolts	6 1360	Bolt M8 x 30 Unbraco
17	Hyd. Motor assembly options:		
17a	SH100HYD motor, U-06, complete	72100UL2	Hydraulic motor SH100/160-6ccm U
17b	SH100HYD motor, U-08, complete	72110UL2	Hydraulic motor U 8ccm Ultra
17c	SH100HYD motor, U-10, complete	72115UL2	Hydraulic motor U 10ccm Ultra

The installer alone has responsibility for the installation of the spare parts. Side-Power only warranty the spare parts supplied only.

The information given in the document was correct at the time it was published. However, Sleipner Motor AS can not accept liability for any inaccuracies or omissions it may contain. Continuous product improvement may change the product specifications without notice. Therefore, Sleipner Motor AS can not accept liability for any possible differences between product and document.