

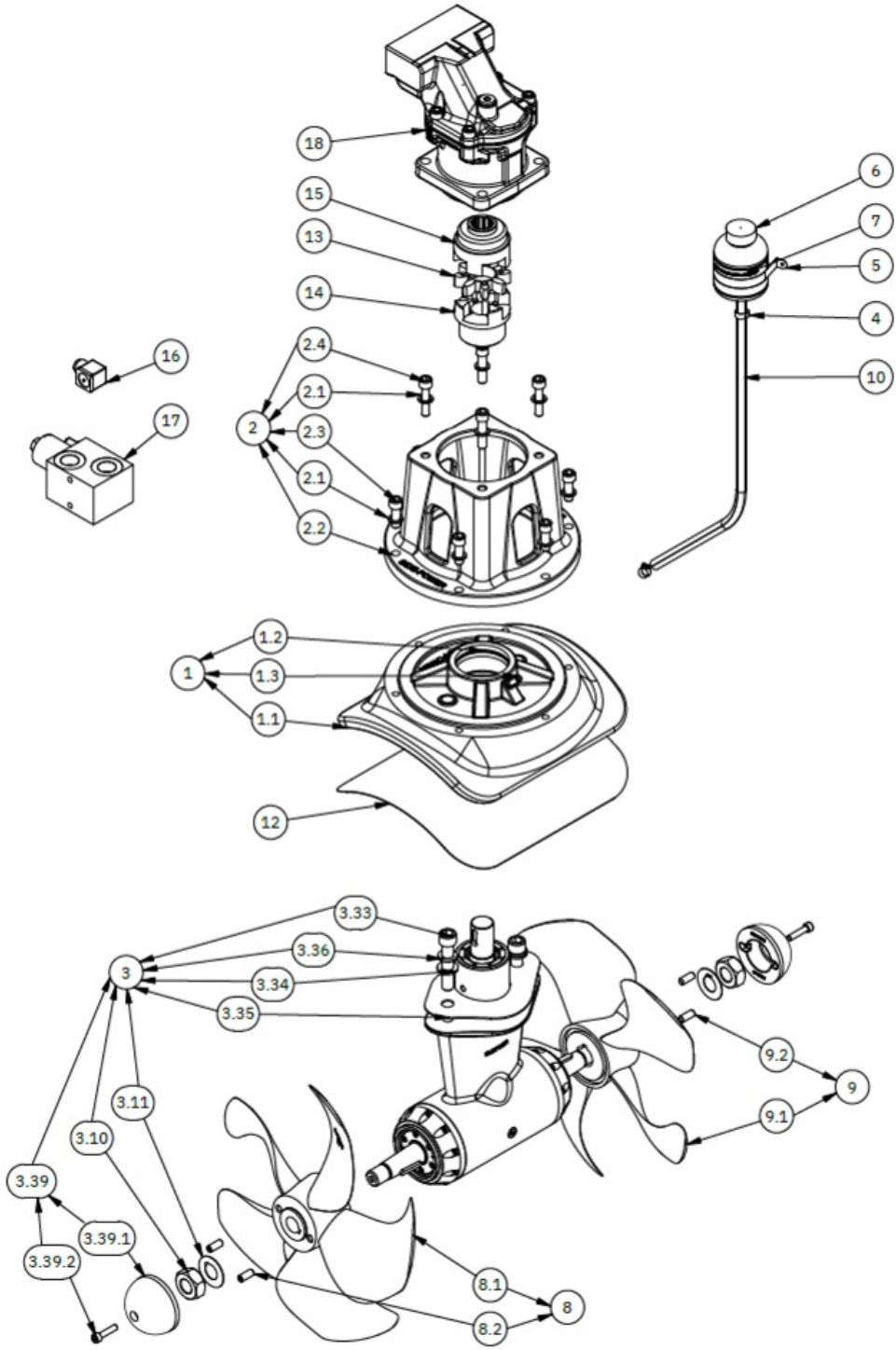
# SH700/412-BA56

## SH700 Tunnel bow/stern thruster

### hydraulic BA56



Spare parts (valid from 2021-11-10)



#	Name	Item Code	Description
1	Komplett brakett nedre del	SM-134063	Motor brakett nedre SH700
1.1	Flange SH700	SM-122938	Flange SH700 maskinert
1.2	DIN 3771 - 80 x 3,55 - NBR	112019	O-ring 80 x 3,5
1.3	Oilnipple	6 1060	Hose nippel motor bracket 1/8 BSP ø9/ø8 mm
2	Komplett brakett øvre	SM-134062	Motor bracket, top part SH700
2.1	DIN 128 - A12	212128	Spring lock washer M12 A4
2.2	Motor brakett SH700	SM-122973	Motor brakett SH700 maskinert
2.3	DIN 912 - M12 x 35	11236	Bolt M12 x 35 Unbraco
2.4	DIN 912 - M12 x 50	11250	Bolt M12 x 50 Unbraco
3	Gearleg compl SH700	60 0600	SH700 girhus montert
3.10	Propellmutter M24	SM-123290	Propellmutter SH700
3.11	Lock washer propeller	SM-123317	Lock washer propeller
3.33	DIN 912 - M16 x 80	11680	Skrue M16x80
3.34	DIN 125 - A 17	20 1181	Flat washer M16 A4
3.35	Pakning hals SH700	SM-134022	Gasket SH700
3.36	DIN 127 - A 16	50 1363	Spring lock washer M16 A2
3.38	Oil plug	HS7504-00-10S	Oil plug M10
3.39	Anode kit,1 side	60 1180	Anode SH700
3.39.1	Anode with pins	SM-123065	Anode SH700
3.39.2	DIN 912 - M8 x 35	50 1172	Skrue M8 x 35 Unbraco
4	Hose clamp	6 1043	Hose clamp Ø15MM-A4
5	Oiltank bracket	6 1031	Fastener clip for oil container
6	Oiltank	6 1030	Oil container
7	Oiltank tag	4 8571	Label for oil container - side
8	Propell SH700 LH	SM-134018 LH	Propeller SH700 LH
8.1	Propell SH700 LH	SM-121010 LH	Propell SH700 LH
8.2	DIN 916 - M10 x 25	11026	Pinnebolt M10 x 25
9	Propell SH700 RH	SM-134019 RH	Propeller SH700 RH
9.1	Propell SH700 RH	SM-121011 RH	Propell SH700 RH
9.2	DIN 916 - M10 x 25	11026	Pinnebolt M10 x 25
10	Oilhose	6 1042	Oil hose SH1000/1400
12	Pakning Motorbrakett SH700	SM-134028	Pakning motorbrakett
13	Plastelement R38	60 1451	Spider R38
14	020383003200_INT	60 1452	Hub R38 Ø32
15	020383003200_INT	60 1453	Hub clamp Rotex 38
16	Hirschmann plug with LED	74390	Hirschmann plug with LED
17	Crossover Valve	HF-NO-011	4-port Cross-Over Valve NO 3/4"
18	Hydraulikk motor 56cc BentAxis	72100/BA56	Hydraulikk motor 56cc BentAxis

The installer alone has responsibility for the installation of the spare parts. Side-Power only warranty the spare parts supplied only.

The information given in the document was correct at the time it was published. However, Sleipner Motor AS can not accept liability for any inaccuracies or omissions it may contain. Continuous product improvement may change the product specifications without notice. Therefore, Sleipner Motor AS can not accept liability for any possible differences between product and document.