



Manual Vertical 500/500H



VM500



VM500H

Model	VM/VMC500	VM/VMC500H
VESSEL LENGTH	6 - 12m 19 - 38ft	6 - 12m 19 - 38ft
POWER SUPPLY (DC)	Manual	Manual
MOTOR (Watts)	N/A	N/A
MAX LOAD	227kg 500lb	227kg 500lb
WORK LOAD	N/A	N/A
AMPS WORK LOAD	N/A	N/A
RECOVERY RATE	36cm/revolution 14.5"/revolution	36cm/revolution 14.5"/revolution
CHAIN SIZE	6 - 8 - 10mm 1/4 - 5/16 - 3/8"	6 - 8 - 10mm 1/4 - 5/16 - 3/8"
ROPE SIZE	12 - 14 - 16mm 3/8 - 9/16 - 5/8"	12 - 14 - 16mm 3/8 - 9/16 - 5/8"
NET WEIGHT	VM 5.5kg/VMC 6.5kg VM 12.7lb/VMC 14lb	VM 7.5kg/VMC 9kg VM 16.5lb/VMC 20lb

Not everyone needs or wants power, so the Manual Vertical series is designed with those in mind. Suited for vessels up to 12m, the manual vertical series has many applications and the above deck installation is fast and simple. The manual series is available in a round base configuration (VM/VMC 500) or fitted with an integral hawse pipe (VM/VMC500H). Featuring an independent low profile top or capstan and gypsy the units can also be mounted horizontally in the anchor locker, or used as an auxiliary unit for line hauling or fishing use.

The low profile, light weight, compact design make this unit ideal for the racing enthusiast who cannot afford the weight or space of a powered windlass, or for those doing serious ocean cruising or racing who can't afford to rely on battery power. Available to suit chain and rope combination or chain only, the heavy duty knurled capstan operates independently of the gypsy and provides increased line grip.

Precision engineered for quick and efficient hauling, the ratchet manual operation system is operated with a standard sheet winch handle and manually released with the same handle.

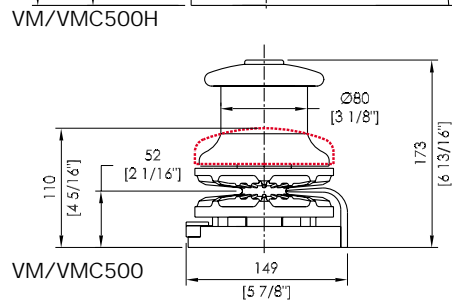
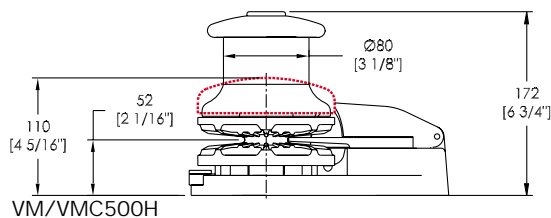
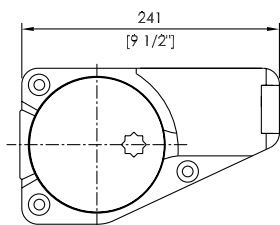
Features

- Rope chain combination gypsy for rope and chain combination or chain only
- Gypsy with capstan (VMC) or gypsy with low profile clutch top arrangement (VM)
- Round base model (VM/VMC) or integral hawse pipe model (VM/VMCH)
- Luxury chrome finish over marine grade bronze
- Independent gypsy and capstan operation
- Capstan models feature heavy duty knurled finish for increased grip
- Cone clutch/brake
- Stainless steel mounting bolts supplied
- Clutch release and manual operation handle
- Installation/Operation booklet



Options

- Traditional polished bronze finish
- Chain pipe for VM/VMC 500 models
- Full range of accessories including chain, rope, anchors, anchor roller, chain stoppers, snubber kits, devil claws



--- denotes low profile (VM) version