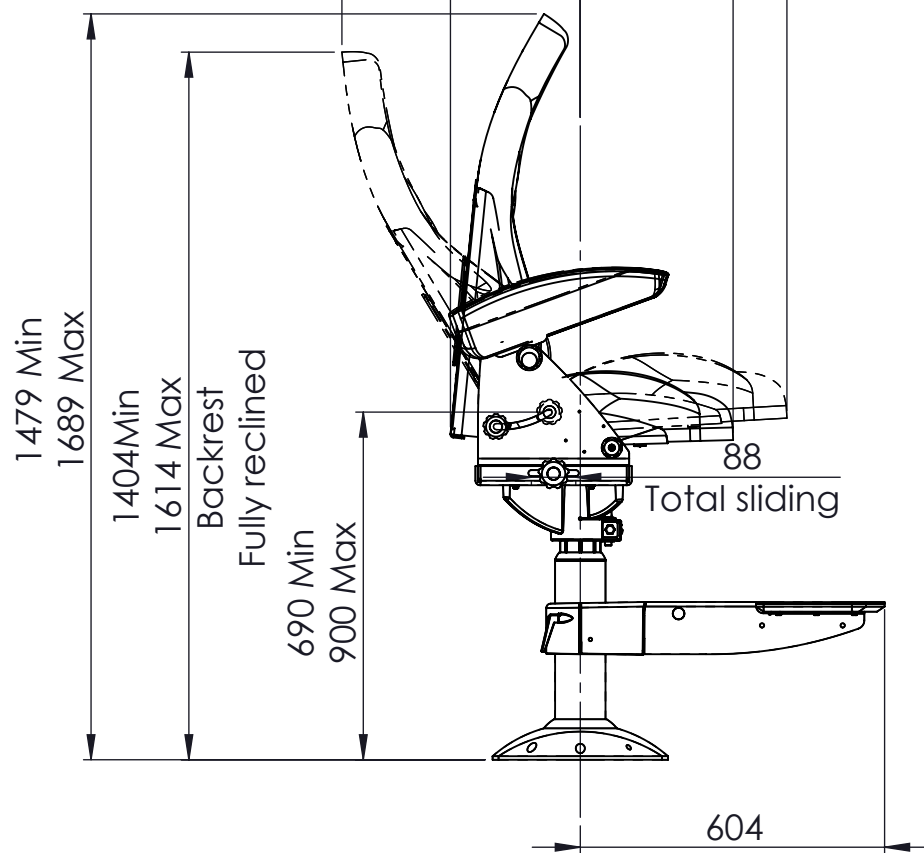


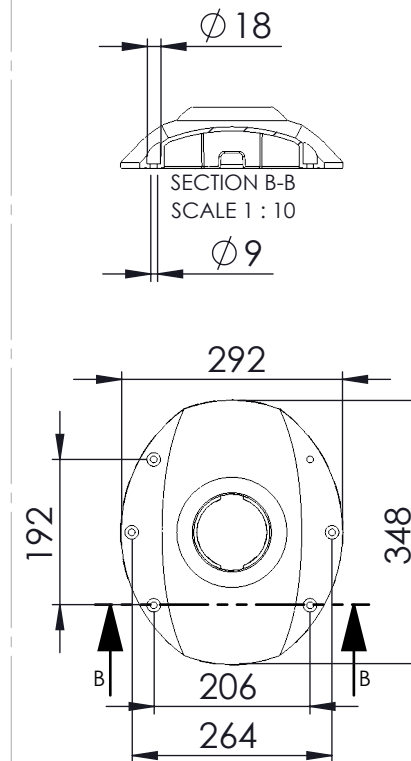
473 +/- 44 Backrest Fully reclined	410 +/- 44 Backrest Fully reclined
258 +/- 44 Backrest Fully upright	303 +/- 44 Backrest Fully upright



All sitting heights measured without load - a variation may occur depending on the load due to contraction of gas-struts, springs, upholstery and third part equipment. All information herein contained is subject to change without notice unless under contractual configuration control. Please consult Norsap if dimensions are critical or a certified drawing is required.

www.norsap.no

Chair interface:



Weight: 40.00



Mjåvannsvegen 45/47
NO 4626 Kristiansand (Norway)

Description:
NS1000 COMFORT 69-90

Art.-No.: 6010	Date: 10.12.2019	Revision: A 5
-------------------	---------------------	------------------