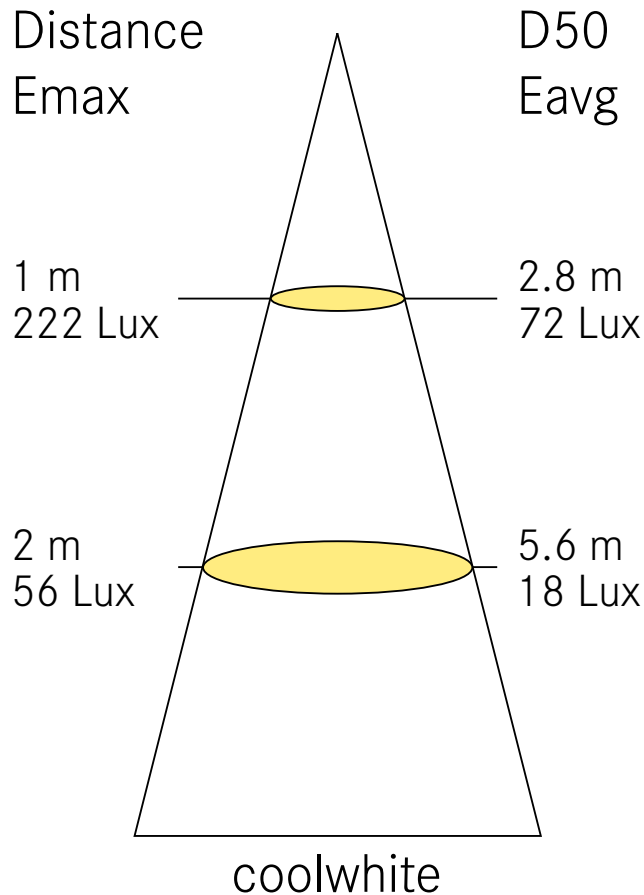


Halbwertwinkel:
Half Peak Divergence:
108°

F-30.1



8 W, 600 lm: 384 x 85 x 22 mm, 15.12 x 3.35 x 0.86 inch