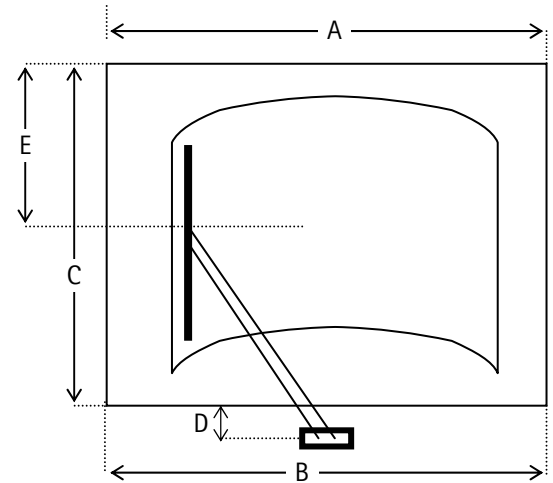


# WINDSHIELD WIPER QUESTIONNAIRE **imtra** MARINE PRODUCTS

## Contact Information

Name: \_\_\_\_\_  
 Company: \_\_\_\_\_  
 Address: \_\_\_\_\_  
 City: \_\_\_\_\_ State: \_\_\_\_\_ ZIP: \_\_\_\_\_  
 Tel: \_\_\_\_\_ Fax: \_\_\_\_\_  
 E-Mail: \_\_\_\_\_  
 Owner's Name: \_\_\_\_\_  
 Yacht Name: \_\_\_\_\_



## Motor Voltage and Location

- 12VDC
- 24VDC
- Below Window
- Above Window

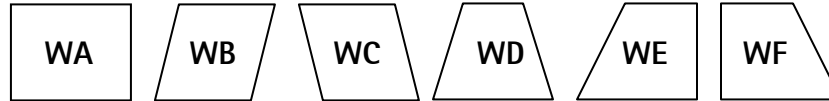
## Switchgear Selection

- Electronic Control Panel (Synchronized)
- Electronic Wiper Switch (Synchronized)
- Individual Switch with Intermittent
- Individual Switch without Intermittent
- No Switchgear Needed

## Washing System Details

- Complete System from Ship's Supply
- Complete System from Reservoir
- Bulkhead Mounted Jet
- Arm Mounted Jet
- No System Required

Window Type:



## Window Dimensions

| Window Dimensions              | Port | Port/Center | Center | Starboard/Ctr | Starboard |
|--------------------------------|------|-------------|--------|---------------|-----------|
| Window Type (see above)        |      |             |        |               |           |
| Window Height [C]              |      |             |        |               |           |
| Width of Glass/Top [A]         |      |             |        |               |           |
| Width of Glass/Bottom [B]      |      |             |        |               |           |
| Motor Setback* from Window [D] |      |             |        |               |           |
| Eye Level [E]                  |      |             |        |               |           |
| Bulkhead Thickness             |      |             |        |               |           |

\*The "Motor Setback from Window" is the distance between the inside edge of the windshield frame and the center of the motor shaft

Please check if wiper motor mounting position is not parallel with windshield. If known, what is the angle between them: \_\_\_\_\_

## Additional Comments: