

# SIDE-POWER

Thruster systems

Confidence by Control



## SP200TC-32



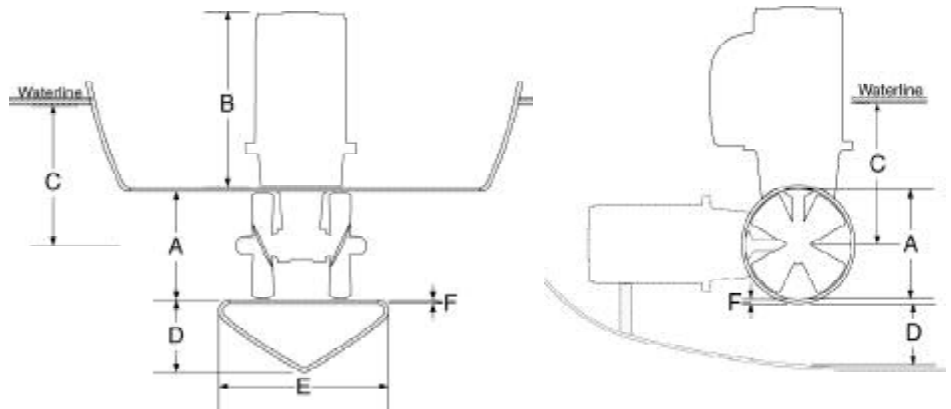
### MAIN FEATURES:

|                      |                       |
|----------------------|-----------------------|
| Thrust at 21V :      | 200 kg - 440 lbs.     |
| Power (motor):       | 15 Kw - 20 Hp         |
| Tunnel diameter :    | 300mm - 12 in.        |
| Propulsion :         | Twin counter rotating |
| Voltage:             | 32V                   |
| Weight:              | 70kg - 154 lbs.       |
| For boats:           | 50 - 75 foot          |
| Current consumption: | norm. 460 A           |
| Min battery CCA din: | 500 A                 |

This powerful new thruster is specially built for 32V boats, like older Hatteras. It utilizes the special 48V motor used on our larger SP285TC thruster and a purpose built control box with voltage regulator for feeding the Sidepower control system. It mounts in the 12" (300mm) I.D. tunnel size. It is the clear choice of thruster for 32V boats in the 50-75ft range.

### Measurements:

|                       |             |
|-----------------------|-------------|
| A (mm - in) :         | 300 - 11.8  |
| B (mm - in) :         | 445 - 17.52 |
| C minimum (mm - in) : | 300 - 11.8  |
| D minimum (mm - in) : | 150 - 5.90  |
| E minimum (mm - in) : | 300 - 11.8  |
| E adviced (mm - in) : | 600 - 23.6  |
| F min (mm - in) :     | 10 - 0.39   |
| F max (mm - in) :     | 13 - 0.51   |



Manufactured by:

Your contact:



### Sleipner Motor AS

Arne Svendsesgt. 6-8  
P.B. 519  
N-1612 Fredrikstad  
Norway

Tel: +47 6930 0060  
Fax: +47 6930 0070  
[www.side-power.com](http://www.side-power.com)  
[sidepower@sleipner.no](mailto:sidepower@sleipner.no)

### Imtra Corporation

New Bedford, MA  
Tel: 508 995 7000  
Fax: 508 998 5359

[www.imtra.com](http://www.imtra.com)  
[side-power@imtra.com](mailto:side-power@imtra.com)

