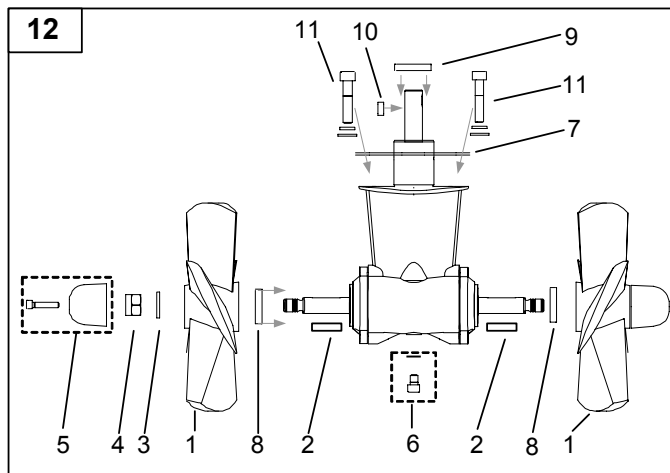
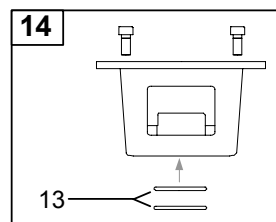
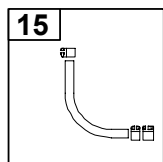
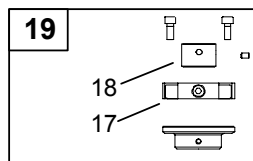
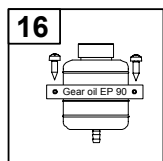
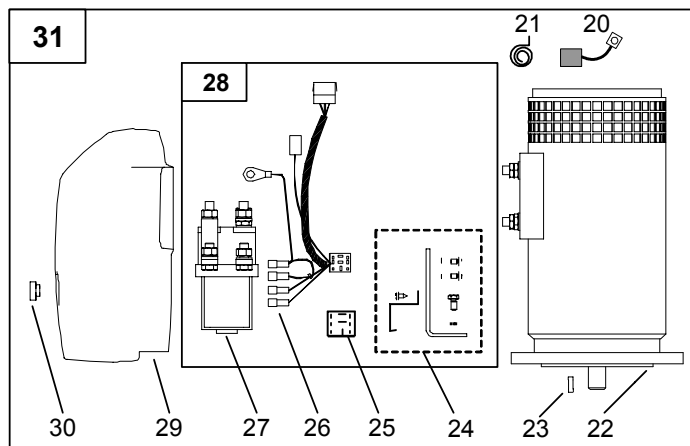


## SP 220 TC Basic parts system



Original model	SP 220 TC	
	10/99 <	15 Hp (20150)
Model period	Part #	Part #
<b>Ref:</b>	<b>24V</b>	<b>24V</b>
<b>31. Complete electric motor assembly</b>	15 0100 24	15 0100 24
<b>30. Nut for solenoid cover</b>	6 8810	6 1285
<b>29. Solenoid cover</b>	20 2025	-
<b>28. Complete solenoid kit</b>	15 0130 24	-
<b>27. Solenoid</b>	10 1370	10 1370
<b>26. Internal wiring loom</b>	15 1273	10 1268
<b>25. Electronic control box</b>	6 1229	6 1229
<b>24. Solenoid bracket kit</b>	10 0135 24	-
<b>23. Key for electric motor shaft</b>	20 1440	20 1440
<b>22. Electric motor</b>	15 1024	15 1024
<b>21. Brush springs for electric motor (kit)</b>	15 0170 24*	15 0170 24*
<b>20. Brushes for electric motor (kit)</b>	15 0180 24*	15 0180 24*
<b>19. Complete flexible coupling</b>	20 1450	20 1450
<b>18. Hub flexible coupling</b>	20 1453	20 1453
<b>17. Rubber element</b>	20 1452	20 1452
<b>16. Oil container with holder</b>	20 0300	20 0300
<b>15. Oil hose with hose clamps</b>	20 0400	20 0400
<b>14. Complete motor bracket</b>	20 0500	20 0500
<b>13. O-ring seals in motor bracket</b>	20 1340	20 1340
<b>12. Complete gearleg</b>	20 0600	20 0600
<b>11. Gearleg bolt</b>	20 1080	20 1080
<b>10. Drive shaft key</b>	10 1440	10 1440
<b>9. Drive shaft seal</b>	20 1351	20 1351
<b>8. Propeller shaft seal</b>	20 1350	20 1350
<b>7. Gasket</b>	20 1312	20 1312
<b>6. Oil drain screw w ith gasket</b>	10 1220	10 1220
<b>5. Zinc anode</b>	20 1180	20 1180
<b>4. Locknut</b>	10 1260	10 1260
<b>3. Propeller w asher</b>	20 1181	20 1181
<b>2. Propeller key</b>	10 1241	10 1241
<b>1. Propeller</b>	20 110 ??	20 110 ??
<b>Other comments:</b>	?? Need to indicate if this is a left hand (LH) or right hand (RH) propeller.	?? Need to indicate if this is a left hand (LH) or right hand (RH) propeller.

\* Please provide thruster serial number when ordering brushes and brush springs.